

## process adaption and accessories

### clamp screw fittings


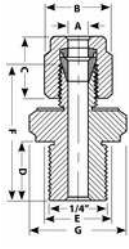
#### features

- clamp screw fittings for assembly of resistance thermometers (WTR 130, WTR 230, WTR 330, WTR 430, WTR 280...) or thermocouples
- material 1.4571 or 1.4404/
- different integral threads
- different sensor diameters
- different clamp rings (material) respectively cutting rings
- hygienic assembly possible with bullet clamp bolting

#### assembly advice

**Important:** use only welded sleeves of company promesstec, to reach a secure and optimal measuring point.  
Pay attention to the max. acceptable clamping torque at assembly.

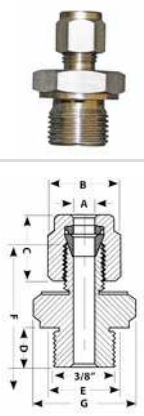
### clamp screw fittings with G1/4" screw-in threads

<b>G 1/4"</b>														
														
<b>designation</b>	screw-in thread for sensor screw connection of stainless steel 1.4571													
<b>type</b>	KVS6T-1/4							KVS6E-1/4						
<b>sensor</b>	6mm							6mm						
<b>clamp ring</b>	teflon							stainless steel 1.4571						
<b>dimensions (mm)</b>	<b>A</b>	<b>B</b>	<b>C</b>	<b>D</b>	<b>E</b>	<b>F</b>	<b>G</b>	<b>A</b>	<b>B</b>	<b>C</b>	<b>D</b>	<b>E</b>	<b>F</b>	<b>G</b>
	6,0	14,2	12,7	11,2	18,2	30,5	19,1	9,0	14,2	12,7	11,2	18,2	30,5	19,1

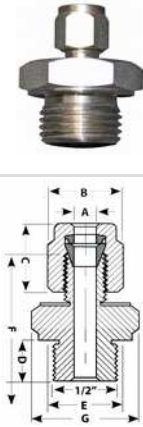
process adaption and accessories

clamp screw fittings

clamp screw fittings with G 3/8" screw-in threads

<b>G 3/8"</b>														
	<p><b>designation</b> screw-in thread for sensor screw connection of stainless steel 1.4571</p>													
<b>type</b>	KVS6T-3/8			KVS6E-3/8				KVS9T-3/8			KVS9E-3/8			
<b>sensor</b>	6mm			6mm				9mm			9mm			
<b>clamp ring</b>	teflon			stainless steel 1.4571				teflon			stainless steel 1.4571			
<b>dimensions (mm)</b>	<b>A</b>	<b>B</b>	<b>C</b>	<b>D</b>	<b>E</b>	<b>F</b>	<b>G</b>	<b>A</b>	<b>B</b>	<b>C</b>	<b>D</b>	<b>E</b>	<b>F</b>	<b>G</b>
	6,0	14,2	12,7	11,1	21,7	31,4	22,2	9,0	19,0	16,0	15,0	18,2	30,5	29,1

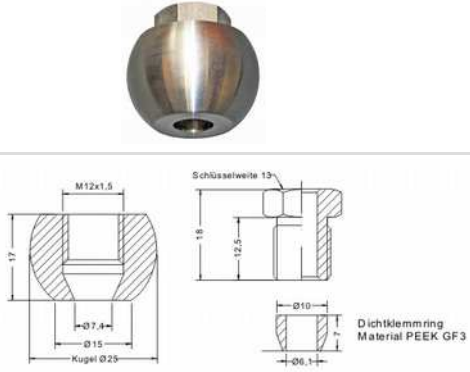
clamp screw fittings with G1/2" screw-in threads

<b>G 1/2"</b>														
	<p><b>designation</b> screw-in thread for sensor screw connection of stainless steel 1.4571</p>													
<b>type</b>	KVS6T-1/2			KVS6E-1/2				KVS9T-1/2			KVS9E-1/2			
<b>sensor</b>	6mm			6mm				9mm			9mm			
<b>clamp ring</b>	teflon			stainless steel 1.4571				teflon			stainless steel 1.4571			
<b>dimensions (mm)</b>	<b>A</b>	<b>B</b>	<b>C</b>	<b>D</b>	<b>E</b>	<b>F</b>	<b>G</b>	<b>A</b>	<b>B</b>	<b>C</b>	<b>D</b>	<b>E</b>	<b>F</b>	<b>G</b>
	6,0	14,2	12,7	14,2	25,8	37,5	27,0	9,0	17,5	14,2	14,2	25,8	38,7	27,0

process adaption and accessories

clamp screw fittings

bullet clamp boltings

<p><b>bullet clamp bolting</b></p>	
<p><b>designation</b></p>	<p>bullet clamp bolting for sensor screw connection and locknut of stainless steel 1.4571</p>
<p><b>type</b></p>	<p>KKVS-6P</p>
<p><b>sensor</b></p>	<p>6mm</p>
<p><b>clamp ring</b></p>	<p>PEEK</p>