

## level measurement

### ultrasonic sound transmitter UST 200

#### features

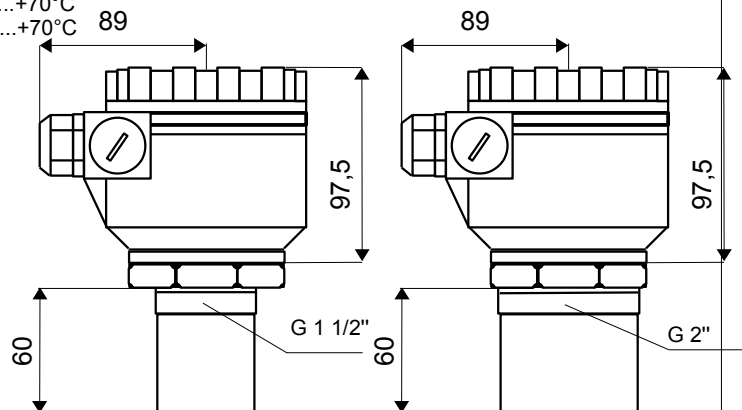
- continuous contactless level indication for all fluid types
- measuring principle ultrasonic
- **robust design with connection head**
- basic 2-wire technology
- optional with display on site, linearizing of a tank a.s.o. available

#### technical specifications

- sensor made of PP, PVDF or PTFE
- depending on measuring range 1 1/2" or 2" screw-in thread
- electrical connection with connection head made of aluminium or plastics
- bolting 2 x M 20 x 1,5
- protection class head IP67, sensor IP68
- auxiliary supply 12...36 VDC
- analog output 4-20 mA
- optional analog output 4...20mA 2-wire Exi (ATEX II 1 G EEx ia IIB T6)
- accuracy: 0,2% of the settled measuring range
- temperature range: connection head made of plastics -25°C...+70°C  
connection head made of alu -30°C...+70°C  
with display -25°C...+70°C
- temperature range process: -30°C...90°C
- max. operating pressure 3 bar abs., other types on request
- sealing at the process: at sensor PP: EPDM  
at sensor PVDF, PTFE: EPM (viton)
- easy parameterizing with 4 keys (base model without display)
- with optional display further features like 32 points linearization, bargraph a.s.o.



UST200-7-1...



#### application areas

- fill level detection in cases and tanks
- fill level detection in waters and open reservoirs
- independent from the medium and the density

#### order-code ust 200...

order example: UST200-7-1-B-2-A-1

#### connection head

- 1 aluminium head standard coated
- 7 head made with plastics PBT

#### display operation

- 0 without display
- 1 with display

#### measuring range

- A measuring range 0,2...4m in fluids
- B measuring range 0,25...6m in fluids
- C measuring range 0,35...8m in fluids

#### process connection

- 1 G1 1/2" screw-in thread (measuring range A)
- 2 G 2" screw-in thread (measuring range B and C)

#### design (material) sensor

- A material plastics PP
- B material PVDF
- C material PTFE (attention, here lower measuring ranges (A:0,25...3m // B:0,25...5m // C:0,35...6m))

#### output electronic system

- 1 analog output 4...20mA 2-wire
- E1 analog output 4...20mA 2-wire Exi (ATEX II 1 G EEx ia IIB T6)