

## touchpanel and I/O-equipment

### touchpanel TSP

#### features

- touchpanel in 4 display sizes from 4,3" to 15"
- from display size 7" (TSP750) Ethernet interface standard
- USB slot and SD-card slot on board
- 2 serial interfaces RS232, 422, 485 on board
- large memory with 128MB flash on board
- various bus interfaces and connections possible
- simply connection to promesstec controller UREG50 and UREG200
- simply connection to I/O-level via RS485 interface

#### High features:

- **Heavy Duty design stainless steel front optional**
- **perfectly applicable for food industry and harsh environment**
- **easy and inexpensive software**
- **datalogging on board**



TSP - touchpanel

#### technical specifications

	<u>TSP450</u>	<u>TSP750</u>	<u>TSP1050</u>	<u>TSP1550</u>
Display	4,3"	7"	10"	15"
Definition	480x272	800x480	1024x768	1024x768
Colours	65536	65536	65536	65536
Active area	95 x 54mm	152 x 91mm	203 x 152mm	304 x 228mm
Lifetime backlight	30 000h	50 000h	50 000h	50 000h
Backlight	LED	LED	LED	LED
Screensaver	yes	yes	yes	yes
Flash memory	128MB	128MB	128MB	128MB
SDRAM memory	128MB	256MB	256MB	256MB
Real-time clock	yes	yes	yes	yes
Buzzer	yes	yes	yes	yes
SD card slot	yes	yes	yes	yes
Port RS232	1	1	1	1
Port RS 232,422,485	1	1	1	1
Ethernet 10/100MB	option	1	2	2
USB port	1	1	1	1
Voltage 11...36VDC	yes	yes	yes	yes
Voltage 90-250VAC	no	yes	yes	yes
Power input	10W	13W	15W	27W
Dimensions in mm	140 x 116 x 57	212 x 156 x 57	325 x 263 x 56	400 x 310 x 56
Installation depth	51	51	50	50
Stainless steel front	no	option	option	option
Protection class	front IP65, back IP20 opt. IP66K	front IP65 back IP20 opt. IP66K	front IP65 back IP20 opt. IP66K	front IP65 back IP20 opt. IP66K
Weight	0,5Kg	1,4Kg	3,6Kg	5,1Kg



touchpanel und I/O

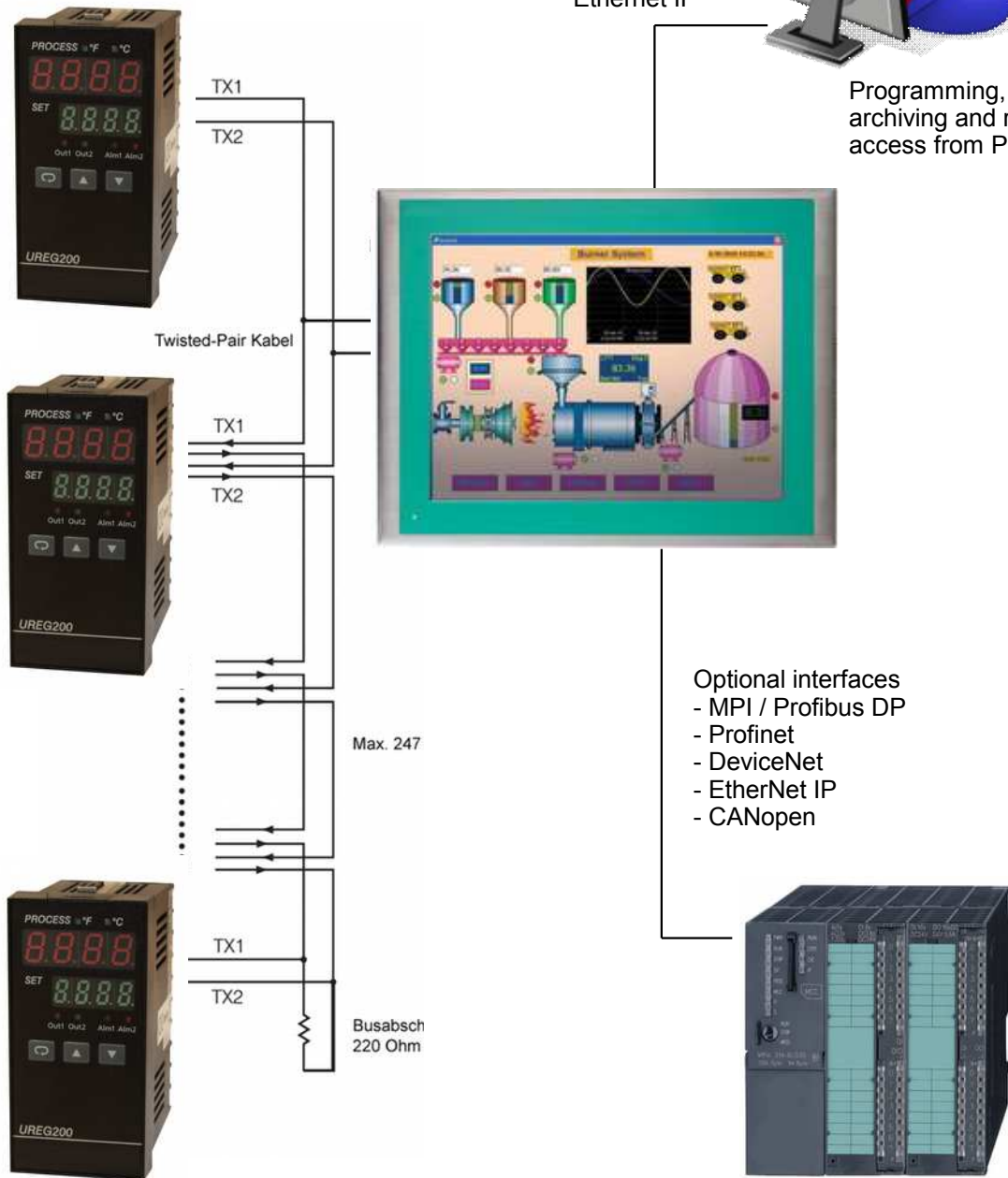
touchpanel TSP

simply connection to promesstec controller UREG50 and UREG200 via RS485-interface



Ethernet IP

Programming, data archiving and remote access from PC



## touchpanel und I/O

### touchpanel TSP

### order-code TSP...

order example: TSP750-1-0-1-1-0-2-1

### basic version

TSP450 touchpanel display 4,3"  
 TSP750 touchpanel display 7"  
 TSP1050 touchpanel display 10"  
 TSP1550 touchpanel display 15"

### power supply

-1 11...36VDC  
 -2 90...250VAC

### sound card

-0 without sound card  
 -1 with sound card and 3 DI, 3DO (not possible with TSP450)

### SD-card slot

-1 with SD-Card slot

### Ethernet interface

-0 without Ethernet interface (only TSP450 possible)  
 -1 with Ethernet interface (from TSP750 always „-1“)

### additional interfaces

-0 without additional interfaces, standard version  
 -1 MPI/Profibus DP  
 -2 Profinet  
 -3 DeviceNet  
 -4 EtherNet IP  
 -5 CANopen

### software

-1 standard software  
 -2 software package plus

### housing design

-0 housing standard  
 -1 housing with stainless steel front IP66K (not possible with TSP450)