

paperless recorder, Datalogger PPR200

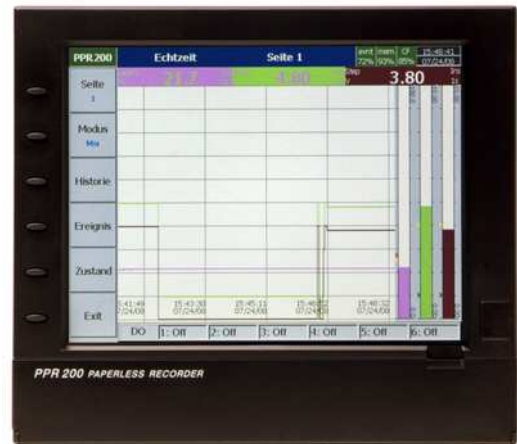
features

- paperless recorder with data logger function
- 18 isolated analog input channels
- only 174 mm (6.9") depth behind panel
- 6,1" TFT-display (640x480 pixel)
- 16MB memory on board
- CF card reader for max 1GB-CF-memory cards
- integrated ethernet-port for communication on board
- math processor with math function, counter, totalizer, CFR21part11
- standard panel mounting or bench top portable style with handle
- **infrared detector distance:**
detect moving human body in distance around 2 meters
- PC software

optional:

- interface RS232/422/485
- bench top portable style with handle
- heavy-duty-case for the rough mobile action

The recorder with 6 plug&play slots for I/O cards has many other unique features too.

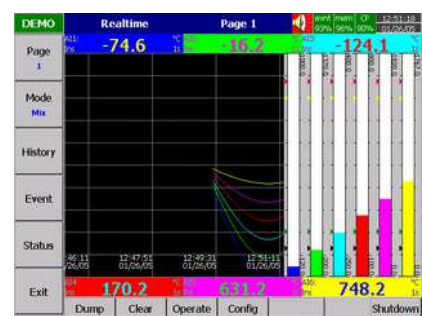
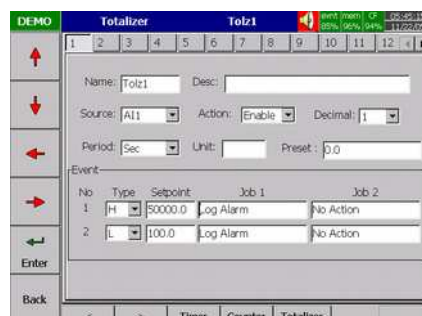
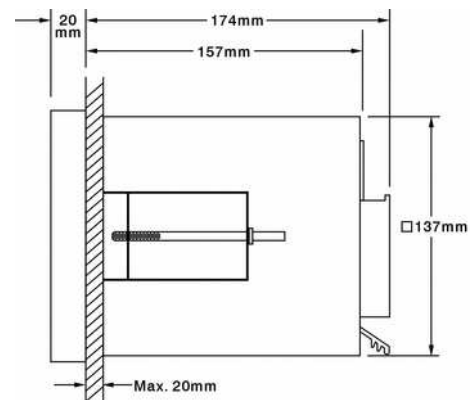
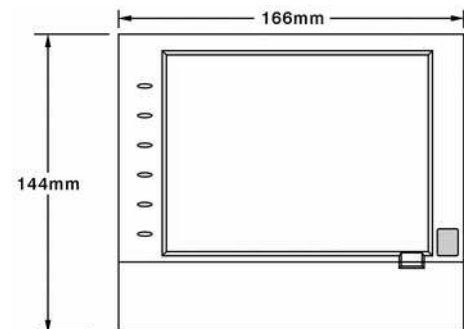


PPR200

new:
math-processor and 16MB
memory on board

technical specifications

power	90-250VAC standard 18-36VDC optional
dimensions	B166mm x H144mm x D174mm
temperature	Operation temperature 5...50°C
display	6,1" TFT LCD, 640x480pixel, 256 colours
memory	16MB on Board, max 1GB with CF-Card
communication	ethernet standard on board protokoll Mod Bus TCP/IP10BaseT ports RJ-45 RS232/422/485 optional
analog input	resolution 18bit, sampling rate 200ms 3 universal inputs PT100 2/3-wire, TC, current 0/4-20mA, voltage 0-70mV, 0-1V, 0-5V, 1-5V, 0-10V
digital input	6 channel card
digital output	card with 6 relays on board relay rating max 5A/240VAC
special card	24VDC auxiliary power supply for 2-wire transmitter, 6 channels)
software	on CD



paperless recorder, data logger PPR200

order-code PPR200

order example: PPR200-1-A-A-A-A-B-D-0-1-1

power

-1 230VAC
-2 24VDC

function Slot 1

-A 3 universal inputs analog

function Slot 2

-A 3 universal inputs analog
-B 6 digital inputs
-C 6 relay outputs
-0 slot free

function Slot 3

-A 3 universal inputs analog
-B 6 digital inputs
-C 6 relay outputs
-0 slot free

function Slot 4

-A 3 universal inputs analog
-B 6 digital inputs
-C 6 relay outputs
-0 slot free

function Slot 5

-A 3 universal inputs analog
-B 6 digital inputs
-C 6 relay outputs
-0 slot free

function Slot 6

-A 3 universal inputs analog
-B 6 digital inputs
-C 6 relay outputs
-D 24VDC auxiliary power supply for 2-wire transmitter
-0 slot free

option1

-0 ethernet port
-1 ethernet port and port with RS232/422/485

option2

-1 function math-modul, counter, totalizer, CFR21part11

option 3

-0 no option 3
-1 bench top portable style with handle