

level measurement

level rod probe NST 260 (floor sensor)

features

- level rod probe as floor sensor
- leakage monitoring of conductive liquids
- suitable for aggressive liquids
- optional with level evaluate modul NA 2

technical specifications

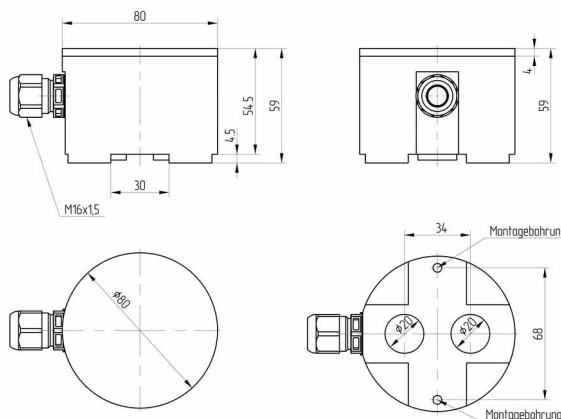
- connection head made of POM - Polyoxymethylen
- cable gland : PA – Polyamid or connector
- material elektrodes of stainless steel 1.4571
- sensitivity: <20 K Ω (at NA 2-Modul)
- process pressure: depressurized
- protection class IP68 DIN EN 60529, IP69k fully potted finish (-V)
- process temperature -20°C...+70°C

application areas

- monitoring of pump shafts
- monitoring of server rooms
- monitoring of tunnel systems and cellar rooms
- monitoring in expedition vehicles



NST260-KR2-A2-B2-NA2-1-ST



order-code: NST 260...

order example: NST260-KR2-A2-B2-NA2-1-ST

connection heads

- KR2 plastic housing round (POM)

rod length 1-rod

- A2 2mm rod length of V4A

rod length 2-rod

- B2 2mm rod length rod V4A

electrical connection

- 1 screw joint
- 2 connection M12

version of electronics

- 0 with screw terminal connection, passive design
- NA2 with level evaluate modul type NA2

cable length and material

- 00PVC cable length specify (e. g. 02 = 2 m) / m, cable material PVC
- 00PUR cable length specify (e. g. 02 = 2 m) / m, cable material PUR
- 00S cable length specify (e. g. 02 = 2 m) / m, cable material silikon

design electrical connection

- ST standard design without potting
- V fully potted electronics respectively terminal compartment (protection class IP69K)