

humidity measurement

humidity sensor FTS 200 „High-Line“

features

- humidity sensor for rooms (also rooms for maturation) and air ducts
- **absolut water resistant, also for assembly in extreme wet areas**
- **no damage at immersion**
- fiber sensor element, consisting of 90 single fibers
- sensor for canal assembly and wall assembly
- robust design, sensor housing stainless steel with plastics connection housing
- high long time stability
- small hysteresis, good dynamic attitude
- optional with PT 100 (other sensors on demand) and analog output 0...10VDC,

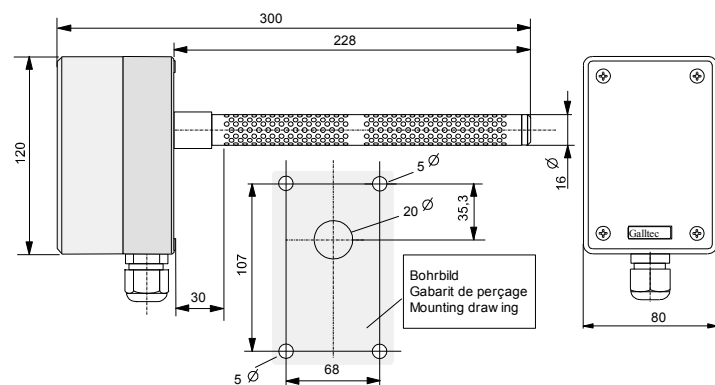
technical specifications

| | |
|----------------------------------|---|
| measuring range: | 0...100%rF |
| accuracy: | +/-2,5%rF |
| operating range: | 30...100%rF |
| max. air speed: | 8m/sec |
| max- temperature | 80°C, other ranges on request |
| measuring range PT100 | standard 0...100°C (other ranges on request) |
| voltage supply: | 24VAC/DC at output 0...10VDC 15...30VDC at output 4...20mA |
| output: | 0...10VDC or 4-20mA selectable |
| material sensor pipe | stainless steel |
| material class adapter housing | ABS light grey |
| protection class adapter housing | IP64 |



FTS 200-A-A

dimensions:



installation- and assembly advice

Please avoid closeness to windows, heatings and other heat sources at assembly.
The sensor can be hung up direct on cable.
At too much settled dust dynamic attitude can adulterate.

order-code FTS 200...

order example: FTS 200-B-B

output measuring value and power supply humidity

- A output 0...10VDC, supply 24VAC/DC
- B output 4...20mA, supply 15...30VDC

output measuring value temperature sensor (optional)

- 0 no options
- A with temperature sensor PT100 range 0...100°C = 0...10VDC output
- B with temperature sensor PT100 range 0...100°C = 4...20mA output