

## process adaption and accessories

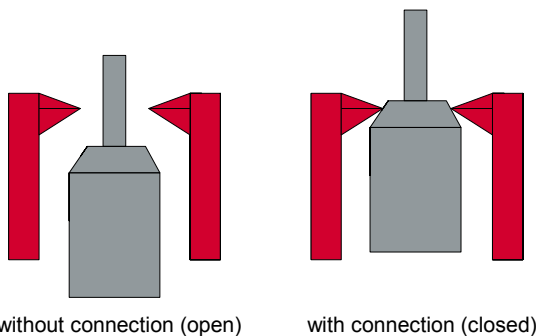
### welding sleeves and sealing plugs

#### features

- dead space- and elastomer free process adaption for temperature sensor WTR 150, WTR 350, WTR 450, WTR 550, WTR 390, WTR 395, WTR 490, WTR 495, level switch NGS150, NGS 250, level rod probes NST150, NST250, ...
- hygienical compatible mounting in cases and pipelines in all areas of the food and pharma industry
- EHEDG and FDA-conform
- marking of PG-position by lasermarking at the sleeve
- material 1.4404 (316L), other materials on request
- on request deliverable with material certificates

#### principle of function






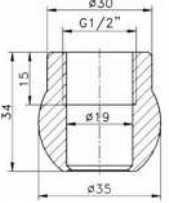
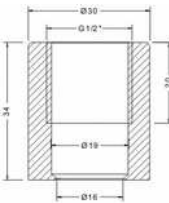
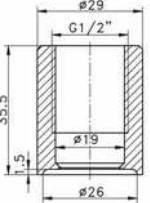
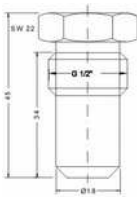
- the taper at screw neck of sensors will be pushed to the seal face of welded sleeve while screwing into the thread. Due to this a metallic seal without further elastomere seals will be obtained.



#### assembly advice

**Important:** use only welded sleeves of company promesstec, to reach a secure and optimal measuring point. Pay attention to the max. acceptable clamping torque at assembly.

### welded sleeves and sealing plugs G1/2" sealing system

G1/2"					
					
<b>designation</b>	modular welded sleeve	cylindric welded sleeve without flange	cylindric welded sleeve with neck	sealing plug	welded helping plug of brass (use only for weld in)
<b>type</b>	KEM 150	ZEM 150	ZEM 151	VSS 150	ESH 150



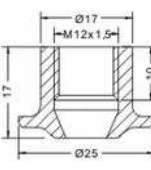
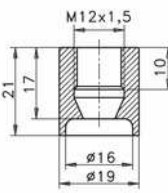
process adaption and accessories

welding sleeves and sealing plugs

welded sleeves and sealing plugs G1" sealing system

<b>G1"</b>			
			
<b>designation</b>	cylindric welded sleeve without neck	sealing plug made of stainless steel	welded helping plug of brass (use only for weld in)
<b>type</b>	ZEM 950	VSS 950	ESH 950

welded sleeves and sealing plugs M12 sealing system

<b>M12</b>				
				
<b>designation</b>	weld-in ball sleeve without flange	cylindrical weld-in sleeve with flange	cylindrical weld-in sleeve without flange	sealing plug
<b>type</b>	KEM 050	ZEM 050	ZEM 051	VSS 050

**process adaption and accessories**

welding sleeves and sealing plugs

adapter for transitions and welded sleeves of other producers

<b>adapter sleeve</b>		
		
<b>designation</b>	adapter for transition from 1" metallic sealing to 1/2" metallic sealing	adapter from welded sleeve for liquphant (Endress & Hauser) to 1/2" metallic sealing
<b>type</b>	AM 150/950	AM 150/Li