

## evaluation devices

### universal-counter UDA 500

#### features

- 5-digit 2,7" segment LCD graphical digital display (red display)
- display area from -32767 to +32767, decimal point programmable
- 7 different colour representations inclusive colour change by incident
- horizontal and vertical presentation
- linearization function with 16 steps
- universal power supply 24VAC/DC...230VAC/250VDC +/-15%
- universal input for resistance thermometer, thermocouples, voltage, power, potentiometer, linear resistances
- 2 programmable userinputs PNP
- galvanic disconnection between input/output and power supply
- power supply for 2-wire transmitter e.g. KMU100
- front programmable about 4 keys
- subsidiary text in parameterizing menu
- 2 relay outputs programmable closed or open
- 2 analog outputs (1 x 0...10VDC, 1 x 0/4...20mA)

- electrical connection with pluggable clamps

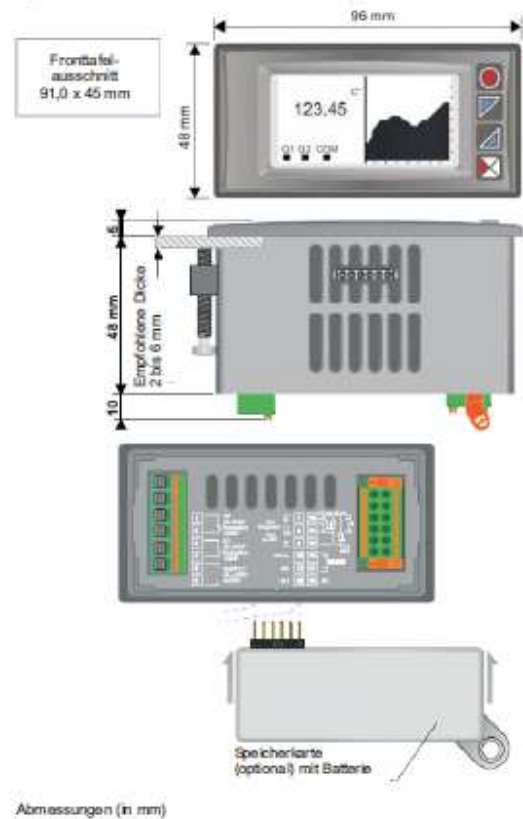
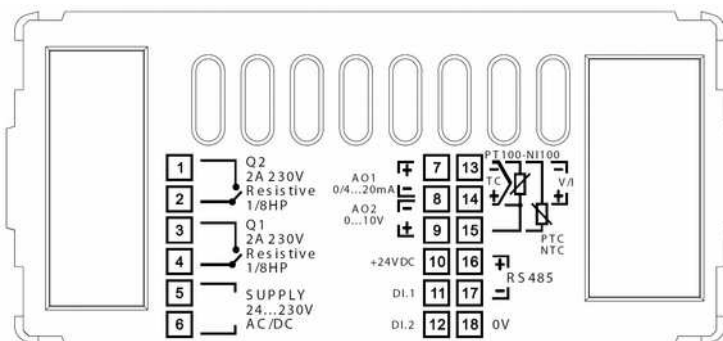
- equipment can be configured in our calibration laboratory on request and/or for application at ISO9000 calibrated according to your specifications.



UDA 500-B-B

#### connection configuration

##### rear view



order-code UDA 500...

order example: UDA500-B-B

#### limit values

-B with 2 limit values, 2 relays

#### analog output

-B with analog output 0...10VDC and 0/4-20mA

#### options

- 0 IP54
- 1 IP65

universal-digital display UDA 500

technical specifications

**general data:**

technical data apply to following temperature range:  
0°C...+45°C, rel. humidity 35%rF...95%rF

**housing:**

material polycarbonat (PC)  
back ABS  
protection class front IP54 optional IP65  
back IP20  
electrical connection pluggable screw terminals,  
deductible  
weight 250 gram

housing dimensions w 96mm x h48mm x d53mm  
without connecting terminals  
panel cut-out w 91mm x h45mm

**electrical data:**

universal supply voltage 24...230 VAC/DC +/-15%  
50...60 Hz  
current consumption max. 6VA  
serial interface RS485 Modbus RTU Slave

**display:**

graphical display 2,7" LCD  
resolution 64 x 128 Pixel  
colour display red, green, blue, orange  
white, purple, light-blue  
positive and negative display  
display scope -32767...+32767  
orientation horizontal, vertical  
type of display digital, bargraph, trend  
units °C, °F, °K, V, mA, mBar, Bar,  
psi, mm, m, rpm, %rh, g, Kg, q,  
t, m/s, l/h

**keyboard:**

design 4 buttons for programming

**inputs:**

measuring cycle accuracy programmable up to 242Hz  
+/-0,2% +/- 1 digit

**current input:**

measuring range 0...20 und 4...20 mA

**voltage input:**

measuring range 1 0...10VDC  
measuring range 2 0...60mV

**temperature:**

resistance thermometer PT100, PT500, PT1000  
NI100, PTC1K, NTC10K  
type K, S, R, J, T, E, N  
thermocouples  
reference point internal (0...50°C)

**resistance:**

potentiometer 1KOhm...6/160KOhm

**user input:**

Switch of PNP-signal with numerous features

**linearization:**

16 steps

**outputs:**

current output: 0/4...20 mA  
resolution 16 Bit  
accuracy 0,2% v. measuring range

**voltage output**

resolution 0...10VDC  
16 Bit  
accuracy 0,2% v. measuring range

**relay outputs:**

number 2  
design close / open programm  
power 2 A bei 250VAC  
design ground separated

**scope of delivery:**

device, mounting material, seal, instruction manual