

flow measurement

paddle wheel PFP -05...-10...-20

features

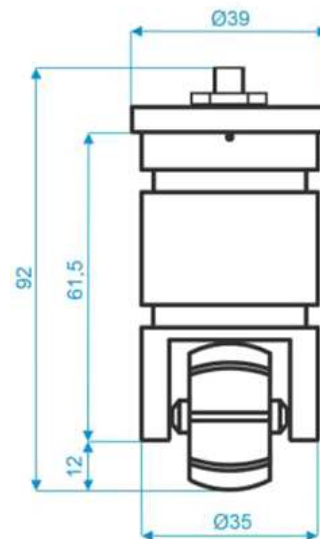
- flowtransmitter for rough industrial environments
- innovative, robust and simple to use
- measuring of different watery liquids for a large number of industries, independent from conductivity
- different process connections and welding adapters
- clear operation through internal key
- M12 connector for electrical application and status LED
- a multitude of outputs for different controlling systems



technical specifications

power supply:	PFP 05; 12÷30 VDC, reverse pole protection PFP 10 / 20; 24VDC± 10%, reverse pole protection
input	<1 VA
electrical connection	M12x1 connector, 4 PINs (PFP 05 3-wire 3x0,5 cable, PFP 10/20 M12 connector)
display	2x bicolor LED (PFP 05 – 1x bicolor LED)
outputs	<ul style="list-style-type: none"> - PFP 05 TTL pulse output (max. 3V / max. Iout = 5mA) - PFP 10 PNP - PFP 20 PNP und 4...20mA analog
pulse/ status contact	PNP (aktiv)
status dimensioning	max. 50mA
output current	4÷20mA, aktiv (max. 400 Ω)
creep rate	0.3÷6 m/sec.
accuracy	± 5% of the measured value
reproducibility	± 1% of the scale
hysteresis	2÷8 cm/sec.
operation	1x flush installed key
temperature medium	-10 ÷ +80°C (other temperatures on request)
ambient temperature	0 ÷ + 55 °C
material contacting	<ul style="list-style-type: none"> - inside case of paddle PVDF - paddle PEEK - paddle spindle SSA4 (DIN1.4401) - PIN in paddles premium steel DIN 1.4115 - welding adapter premium steel DIN 1.4404; DIN 1.4571 - O-ring sealing EPDM max. pressure 25 bar
pressure loss	max. 0,5 bar
IP-Code	IP67
air moisture	max. 90%
dimensions	90xØ38,8mm
weight	135g

paddle wheel...



application areas

- water- and waste-water industry
- agriculture, digester gas systems
- food industry, refrigeration installation
- cooling for implements and so on
- VE-water applications

order code PFP.....

order example: PFP 20

- 05 fixed pulse output, fixed cable connection output TTL
- 10 fixed pulse output PNP, 3 puls constants deposited, M12 connector
- 20 fixed pulse output PNP and output 4...20mA, M12 connector